

PRODUCT SUBMITTAL

AtmosSmart IoT

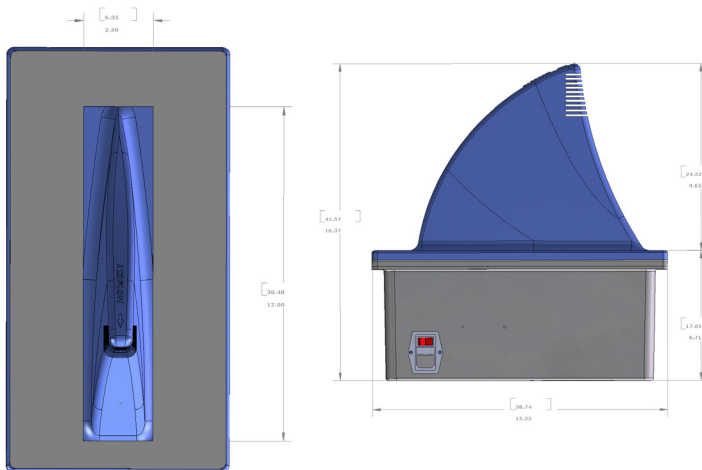


APPLICATION

The AtmosSmart IoT is an in-duct indoor air quality monitoring system that continuously measures 10 parameters of IAQ data while measuring outdoor AQI as displayed from EPA data. Using LTE Cellular Gateway for wireless communication, the system does not require Wi-Fi or Ethernet connectivity. LoRa™ enables the AtmosSmart IoT to wireless control and monitor system functionality which can be accessed through web portal or mobile application. Up to 8 AtmosAir™ ionization systems can be actively monitored and controlled at one time. BMS compatible via BACnet.

Additional Features:

- Controls AtmosAir devices connected to the internet
- Viral index can be developed via the monitoring of CO₂, RH, and PM₁
- Web Access / Mobile Application for IAQ Data monitoring & device administration
- Use LoRa™ singular gateway for wireless communication rather than expensive multiple communication routing



SPECIFICATIONS

Air Quality Measurements

Ambient Temperature (°F)	Range: 0 to 999
Ambient Humidity (RH%)	Range: 0 to 100
PM1.0, PM2.5, PM10 (µg/m ³)	Range: 0 to 9999
TVOC (ppb)	Range: 0 to 9999
CO ₂ (ppm)	Range: 0 to 9999
Ozone (ppb)	Range: 0 to 999
CO (ppm)	Range: 0 to 999
CH ₂ O (ppb)	Range: 0 to 999

Electrical Statistics

Rated Voltage	120 to 240 VAC
Frequency	50/60 Hz
Voltage Range	12 VDC Internal
Current Draw	< 1.0 Amp
Regulation of BPI Control	Algorithm-Based Modulation
BMS Compatibility	BMS Integration; BTL Certified

Installation Statistics

Dimensions (L x W x H)	15.25" x 8.00" x 19.20"
Size Below Duct	6.80"
Size In Duct	10.20"
Weight (Installed)	10 lbs (4,536g)

IoT Monitoring Features

Systems Included	iOS & Android
Data Reports	AtmosSmart IAQ Sensors; Outdoor AQI; Up to 8 AtmosAir Devices; Users & Permissions
Remote Control	Programming; Calibration; IAQ Data; Connected Devices
Data Calibration	LEED, WELL, FITWELL, RESET

Applicable Codes & Standards

US / CAN and EU Standards